

**Specifications**  
(All Models, Unless Noted Otherwise)

FEATURE	PERFORMANCE SPECIFICATIONS
Print Speed	55 characters per second (CPS) at a maximum of 12 characters per inch (CPI) <u>Model 7710/15/20/25 With Serial Interface</u> 10 CPS @ 110 Baud;    30 CPS @ 300 Baud 15 CPS @ 150 Baud;    55 CPS @ 600 Baud 20 CPS @ 200 Baud;    55 CPS @ 1200 Baud
Print Line	136 columns at 10 CPI 163 columns at 12 CPI
Impression Control	3 steps by operator Models 7710/15/20/25 - 8 steps by printer
Paper Width	16 inches (maximum)
Character Set	128 characters (maximum) fully formed
Copy Thickness	5-step switching by operator
Paper Thickness	up to 0.027 inch
Paper Movement	up or down
Carriage Return Time	400 milliseconds (maximum)
Horizontal Resolution	120 increments per inch
Horizontal Tabulation	Normal and addressable - right and left
Vertical Resolution	48 increments per inch
Vertical Tabulation	Normal and addressable - up and down
Line Feed Speed	36 ms/line (47.5 ms settling time) <u>Models 7710/15/20/25</u> 4.22 inches/second (40 ms settling time)

Specifications (cont'd)  
(All Models, Unless Noted Otherwise)

FEATURE	PERFORMANCE SPECIFICATIONS
Reverse Line Feed Speed	36 ms/line (61.5 ms settling time) <u>Model 7710/15/20/25</u>
Spacing Speed	3.11 inches/second (40 ms settling time) 16 ms at 12 CPI
Form Feed	1 to 99 lines (maximum)
Line Feed	6 or 8 lines/inch (forward/reverse)
Test Print	Stored test print
INTERFACE	
<u>Model 7730</u>	Parallel Centronics type Receive buffer 132, 136, 158, or 163 characters (switch selectable) Even parity Communication code: ASCII
<u>Model 7710/15/20/25</u>	Communication compatible EIA RS-232-C and CCITT V.24 Receive buffer: 256 characters Communication code: ASCII, half- or full-duplex Transmission rate: 110, 150, 200, 300, 600 or 9600 baud (optional) Transmit buffer: 16 characters Protocol: ACK/ETX or X-ON/X-OFF REVERSE CHANNEL Even/odd parity: framing/overrun error detection

Specifications (cont'd)  
(All Models, Unless Noted Otherwise)

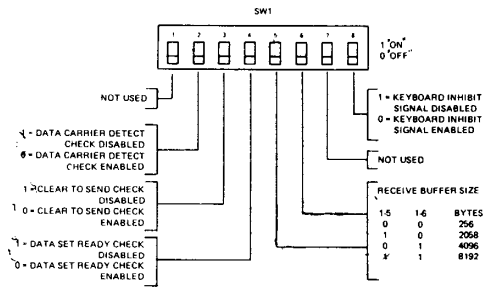
FEATURE	POWER
Input	115 Vac, +/-15%, 3.5 amps, 50/60 Hz, +5% - 3%, or 230 Vac, +/-15%, 2 amps, 50/60 Hz, +5% - 3%
DIMENSIONS	
Model 7730	Width: 24.8 inches (630 mm), including platen knobs Depth: 16.34 inches (415 mm) Height: 8.66 inches (220 mm) Weight: 45.5 lbs (20.7 kg), including covers and power supply
Model 7710/15 RO	Width: 24.8 inches (630 mm), including platen knobs Depth: 15.96 inches (405 mm) Height: 9.29 inches (236 mm) Weight: 45.5 lbs (20.7 kg)
Model 7720/25 KSR	Width: 24.8 inches (630 mm) Depth: 23.94 inches (608 mm) Height: 9.17 inches (233 mm) Weight: 51 lbs (23.3 kg)
ENVIRONMENTAL CONSIDERATIONS	
Noise Level	60 dBa with cover 67 dBa without cover
Temperature	Operating: 40°F to 100°F (5°C to 38°C) Storage: <u>Model 7730</u> - -4°F to 158°F (-20°C to 70°C) <u>Models 7710 /15/20/25</u> - -22°F to 158°F (-30°C to 70°C)
Humidity (without condensation)	Operating: 10% to 85% RH Storage: 10% to 95% RH
Altitude	Operating: Sea level to 10,000 feet Storage: Sea level to 25,000 feet

**Question:** I have a NEC Spinwriter 7700 Printer and I am using the WordPerfect Software Version 5.1. I need to know what software driver to select from the list of printers which is included with the software.

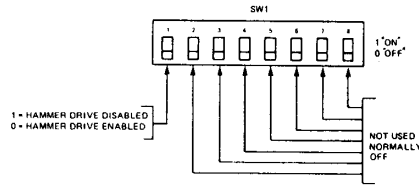
**Answer:** Below is a list of printer drivers which may be selected in order to support the NEC Spinwriter 7700 Printer line under DOS based software application packages.

<u>NEC Model</u>	<u>Software Driver Selection/Emulation</u>
NEC 7710	NEC 2010, 3510, 5510, 7710 or 8810 Spinwriter. Receive Only ANSI Terminal.
NEC 7715	NEC 2015, 3515, 5515, 7715 or 8815 Spinwriter. NEC 2030, 3530, 5530, 7730 or 8830 Spinwriter. Receive Only Diablo 1610 Replacement Printer.
NEC 7720	Keyboard Send/Receive ANSI Terminal.
NEC 7725	Keyboard Send/Receive Diablo 1620 Replacement Printer.
NEC 7730	Receive Only Centronics Type Printer.
NEC 7700D	OEM'd to Diablo Corporation as a 1345 Type Printer. 12 Bit interface.
NEC 7700Q	OEM'd to Qume Corporation. 12 Bit Interface.

## SWITCH SETTINGS

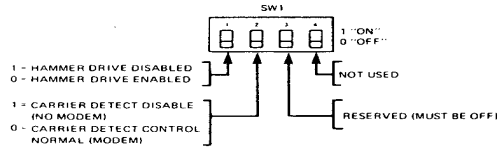


Models 7710, 7715, 7720, and 7725 G9JHX PCB Switch Settings



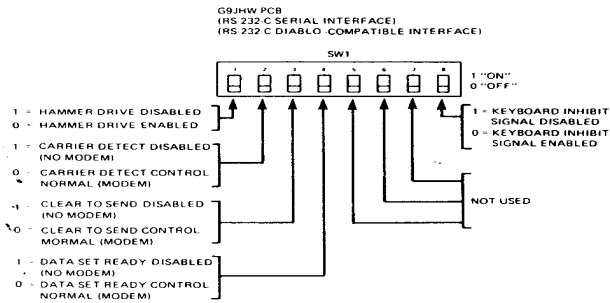
NOTE: ALL G9JHW SWITCHES ARE NORMALLY OFF WHEN G9JHX BOARD HAS BEEN INSTALLED.

Models 7710, 7715, 7720, and 7725 G9JHW PCB Switch Settings  
(Word Processing/Buffer Option, G9JHX Kit, Installed)



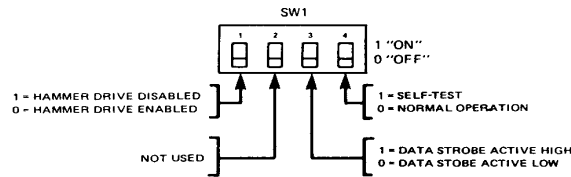
Earlier Switch Functions for Models 7710 (G9JHT-101)  
and 7715 (G9JHT-001)

The later and standard switch functions for SW1 on the G9JHW PCB with an RS-232C serial interface or RS-232C Diablo-compatible interface (models 7710, 7715, 7720, and 7725) are shown below.



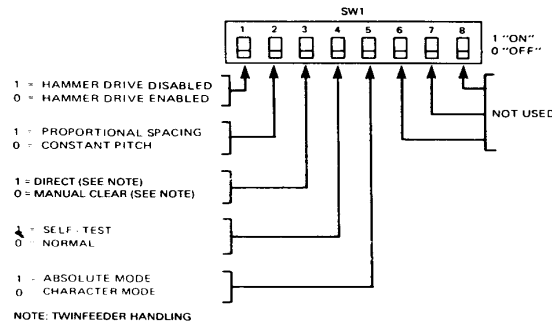
Switch settings change with G9JHX kit installed.

Models 7710, 7715, 7720, and 7725 PCB  
Switch Settings (G9JHW) — Standard Version

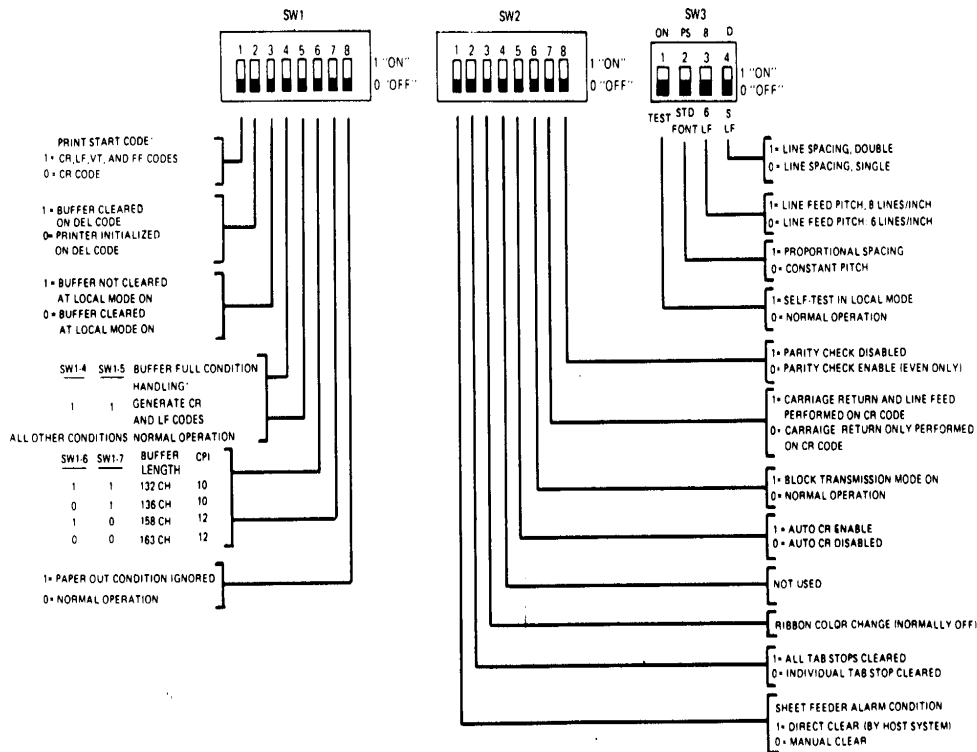


**Model 7730 G9JHS SW1 Switch Functions**

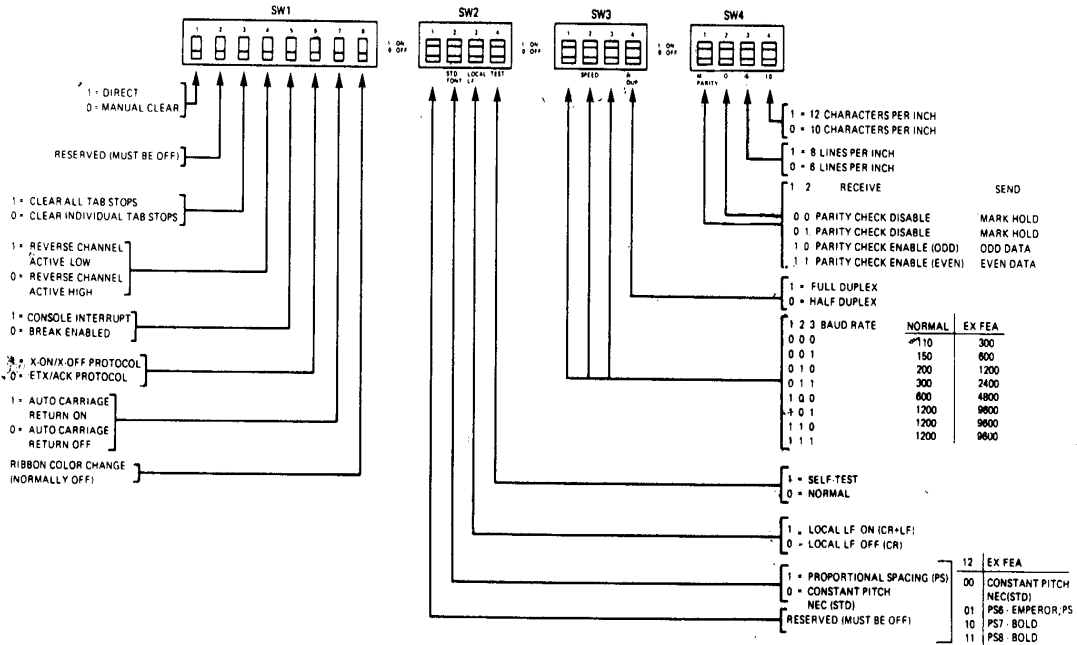
The functions of the G9JHR PCB (7700Q) and G9JHU PCB (model 7700D) are shown below.



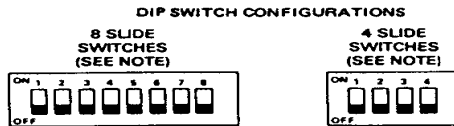
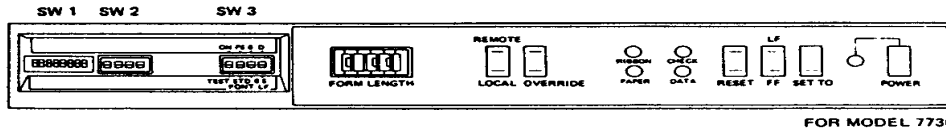
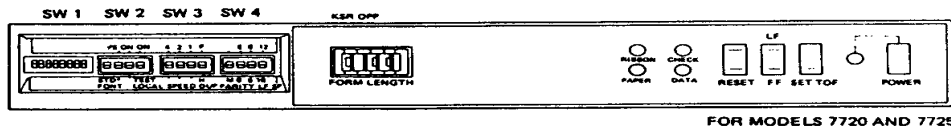
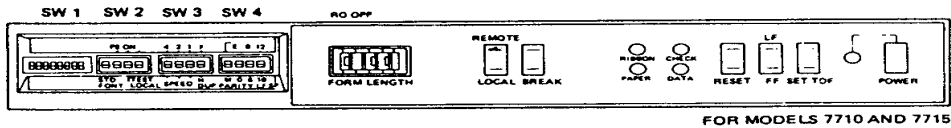
**G9JHR PCB (7700Q) and G9JHU PCB (7700D) Switch Functions**



**Operator Control Panel Switch Functions — Model 7730**

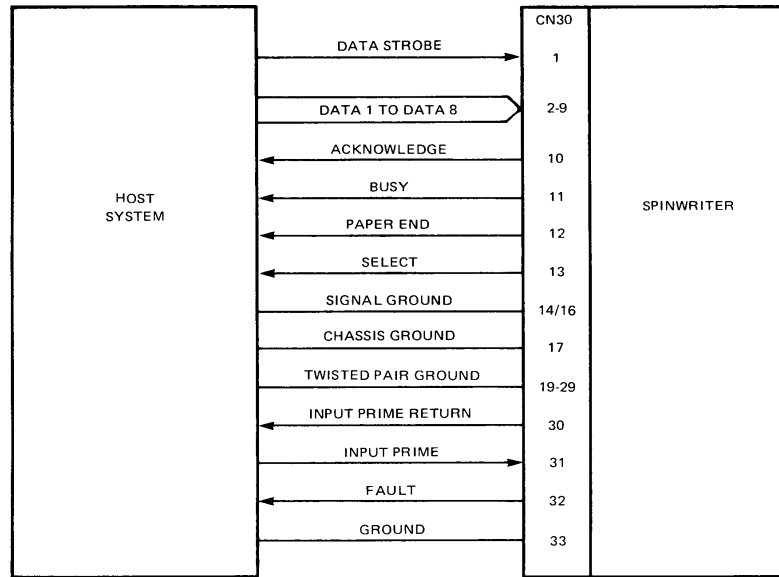


### Operator Control Panel Switch Functions — Models 7710, 7715, 7720, 7725

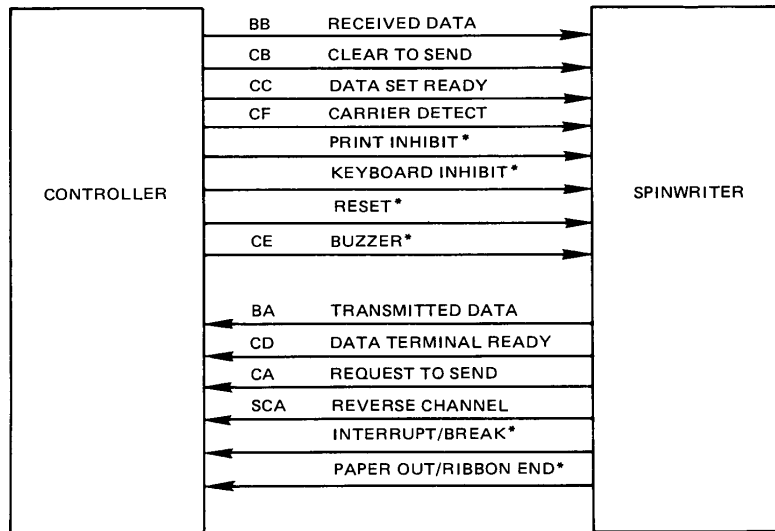


### Operator Control Panels

## Parallel interface



## RS232 interface



\*DIRECT CONNECT APPLICATIONS ONLY

EIA CONNECTOR PIN NO.	SPINWRITER CONNECTOR CN30	CIRCUIT		EIA SIGNAL NAME
		EIA	CCITT	
2	1	BA	103	TRANSMITTED DATA
3	2	BB	104	RECEIVED DATA
4	3	CA	105	REQUEST TO SEND
5	4	CB	106	CLEAR TO SEND
6	5	CC	107	DATA SET READY
7	6	AB	102	SIGNAL GROUND
8	7	CF	109	CARRIER DETECT
11	12	-	-	RESET*
18	10	-	-	KEYBOARD INHIBIT*
19	8	SCA	120	REVERSE CHANNEL
20	9	CD	108	DATA TERMINAL READY
21	11	-	-	PRINT INHIBIT*
22	13	CE	-	BUZZER*
23	14	-	-	PAPER OUT/RIBBON END*
25	15	-	-	INTERRUPT/BREAK*

\*Used for direct connection applications only.

## CARRIAGE ASSY

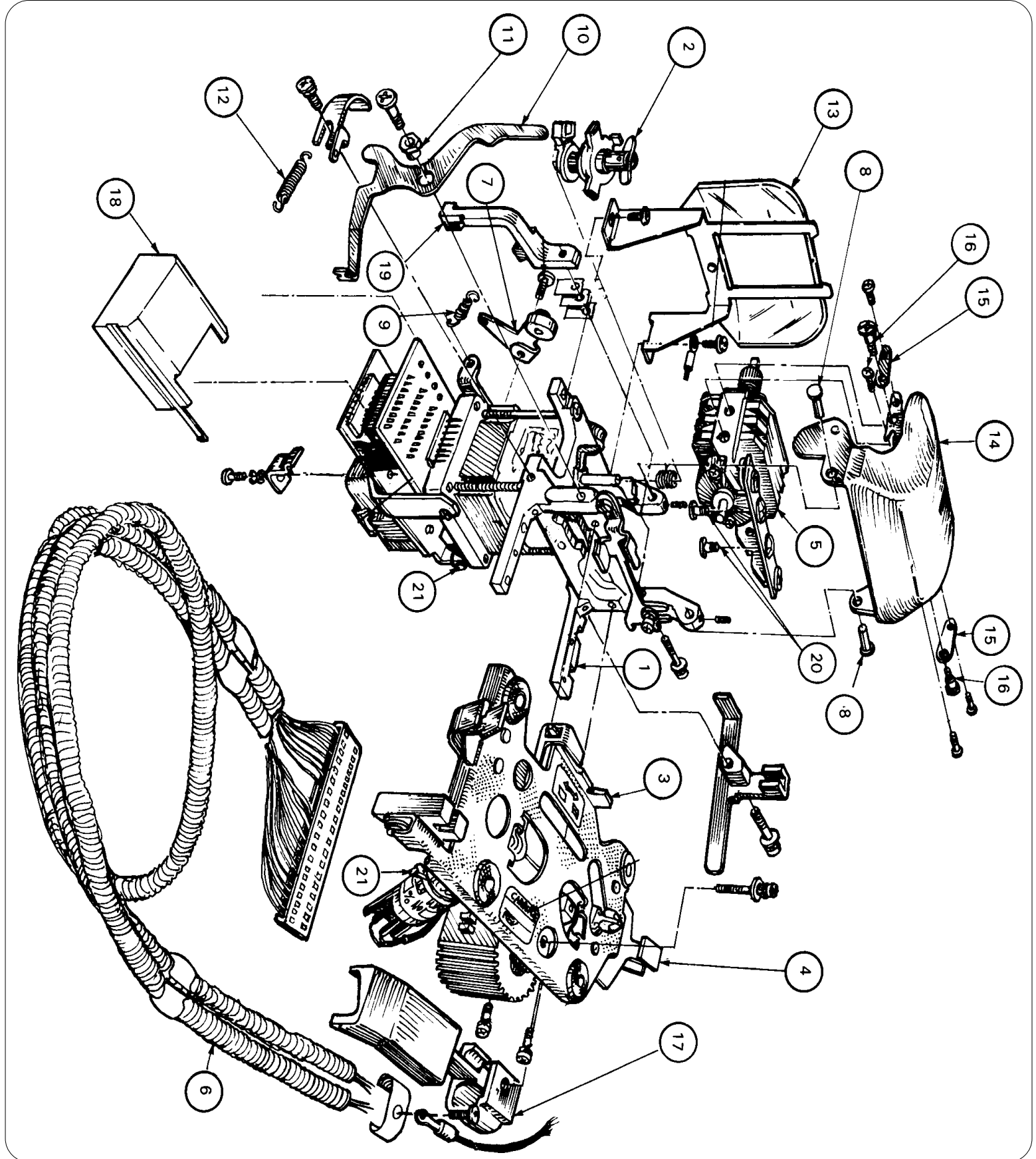
ITEM	DESCRIPTION	PART NUMBER
1	Rotate Motor Assembly	136-033911-A
2	Vertical Slide Sleeve Assembly	136-031577-A
3	Ribbon Base Assembly	136-031575-002-A
4	R.B.S.A.	136-720280-002-A
5	Print Hammer Assembly	136-032022-B
6	Carriage Cable Assembly	136-033912-B
7	Bearing Holder Assembly	136-720287-A
8	Stud (Hammer Cover)	136-710139-A
9	Bearing Holder Spring	136-720250-A
10	Lock Lever	136-711966-A
11	Eccentric Stud	136-711967-A
12	Lock Lever Spring	136-711968-A
13	Card Holder Assembly	136-720571-XB
14	Hammer Cover Assembly	136-720288-A
15	Position Plate	136-712201-A
16	Shoulder Screw	136-723810-A
17	Cable Clamp A	136-723807-A
18	Inductosyn Cover	136-734985-A
19	Stopper Assembly	136-726414-A
20	L-CPIMS 2×4×15BF	805-330002-004-0
21	IB Tie	808-814004-923-A

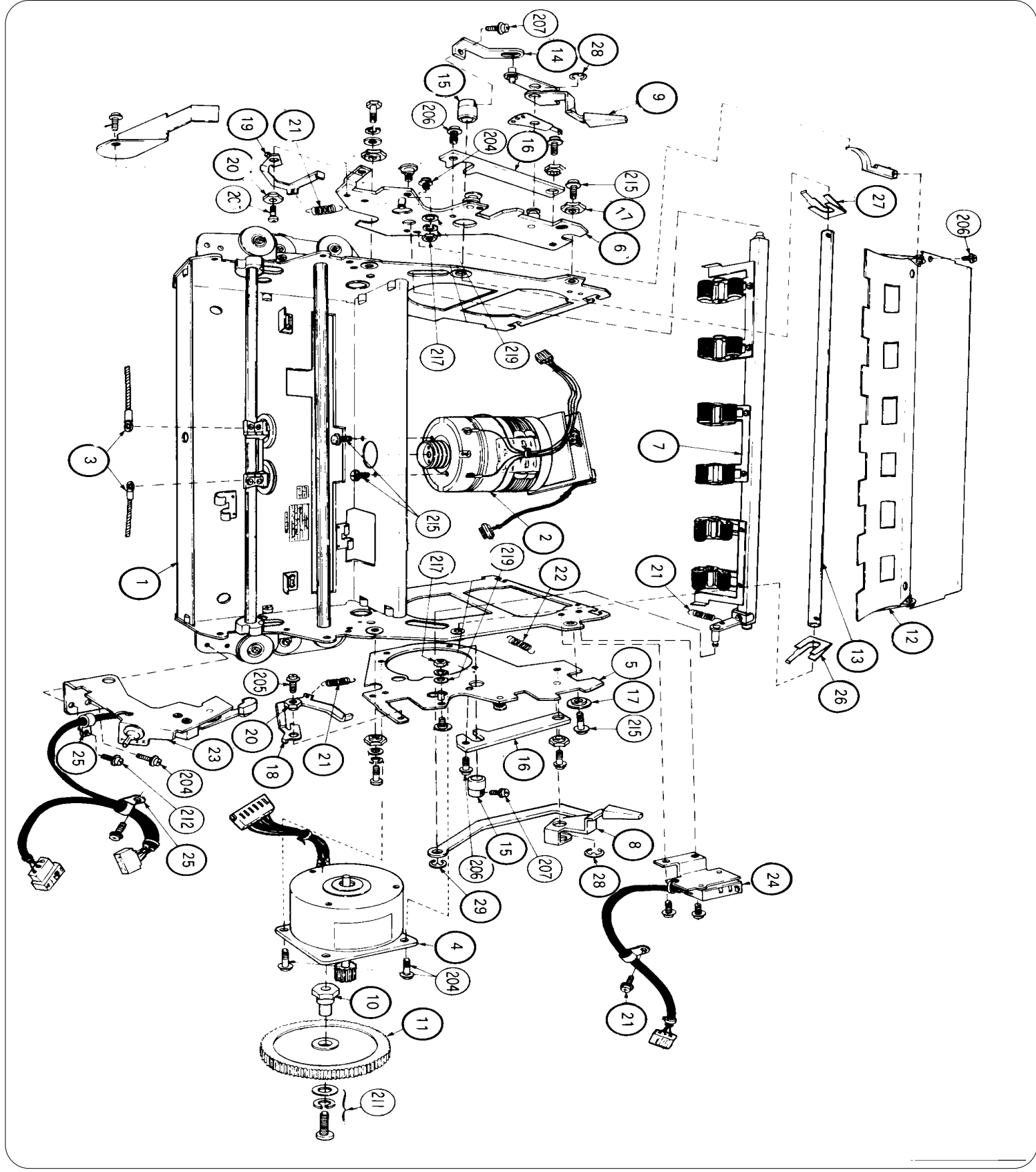
## FRAME ASSY

ITEM	DESCRIPTION	PART NUMBER
1	Frame Assembly	136-034061-A
2	Spacing Motor Assembly	136-033913-A
3	Wire Rope Assembly	808-805038-030A
4	Line Feed Motor Assembly	136-031585-A
5	Line Feed Frame Assembly - Right Side	136-722871-001-A
6	Line Feed Frame Assembly - Left Side	136-722871-002-A
7	Pressure Roller Assembly	136-723002-A
8	Pressure Lever	136-722873-A
9	Control Lever	136-722872-A
10	Line Feed Idler Gear Bushing	136-722720-A
11	Line Feed Idler Gear	136-722721-A
12	Paper Guide Assembly	136-722756-A
13	Control Shaft	136-722741-A
14	Control Arm	136-722743-A
15	Control Cam	136-722740-A
16	Control Follower Plate	136-722742-A
17	Line Feed Slide Bushing	136-722714-A
18	Platen Clamp Lever - Right Side	136-723435-001-A
19	Platen Clamp Lever - Left Side	136-723435-002-A
20	Eccentric Bushing	136-710035-A
21	Platen Clamp Spring	136-723969-A
22	Line Feed Frame Spring	136-720390-A
23	Cover Switch Assembly	136-734988-A
24	Media Low (Net) Assembly	136-734988-A
25	Cable Clamp HP-3N	803-070031-003-A
26	PG Plate (Paper Guide) - Right Side	136-723971-001-A
27	PG Plate (Paper Guide) - Left Side	136-723971-002-A

NOTE: The spinwriter 7700 series has come to a end of service life parts are only available until current inventory has been depleted.







Escape Codes for 7710, 7720, 7715, 7725, and 7730

ESCAPE CODES			
FUNCTION	MODELS 7710/7720	MODELS 7715/7725	MODEL 7730
<b>General Control</b>			
Graphics Mode Off	ESC /	ESC 4	N/A
Graphics Mode On	ESC . (period)	ESC 3	N/A
Ribbon—Red	ESC 3	ESC A	ESC 3
Ribbon—Black	ESC 4	ESC B	ESC 4
Read Space (SP) Switch Setting	N/A	ESC S	N/A
Read FF, LF, SP Switch Settings	ESC =	N/A	ESC =
Tabs—Clear All	N/A	ESC 2	N/A
Tabs/FF Length—Clear All	ESC 7	N/A	ESC 7
<b>Carriage Movement</b>			
Horizontal Motion Index (HMI)*	ESC ] @ to O	ESC US (n)	ESC ] @ to — (underline)
Horizontal Tab (HT) Absolute**	ESC P to U @ to — (underline)	ESC HT (n)	ESC P to U @ to — (underline)
HT—Clear	ESC 2	ESC 8	ESC 2
HT—Set	ESC 1	ESC 1	ESC 1
Margin—Clear Left	ESC O	N/A	ESC O
Margin—Clear Right	ESC K	N/A	ESC K
Margin—Set Left	ESC M	ESC 9	ESC M
Margin—Set Right	ESC J	ESC 8	ESC J
Print Forward Mode	ESC >	ESC 5	ESC >
Print Reverse Mode	ESC <	ESC 6	ESC <
<p>* See Table 7 for 7710, 7720, and 7730, or see Table 8 for 7715 and 7725.</p> <p>** See Table 4 for 7710, 7720, and 7730, or see Table 6 for 7715 and 7725.</p>			

Escape Codes (cont'd)

ESCAPE CODES			
FUNCTION	MODELS 7710/7720	MODELS 7715/7725	MODEL 7730
<b>Paper Movement</b>			
Form Feed Length—Set	ESC L	ESC FF (n)	ESC L
Format Mode—Clear	ESC @	N/A	ESC @
Format Mode—Set	ESC ?	N/A	ESC ?
Line Feed (LF)—Half	ESC :	ESC U	N/A
LF—Reverse	ESC 9	ESC LF	ESC 9
LF—Reverse Half	ESC ;	ESC D	N/A
Vertical Motion Index (VMI)*	ESC ] P to — (underline)	ESC RS (n)	ESC ] P to — (underline)
Vertical Tab (VT) Absolute (see Table 6)	N/A	ESC VT (n)	N/A
VT—Clear (VT and Form Length)	ESC 6	N/A	ESC 6
VT—Set	ESC 5	ESC - (minus)	ESC 5
VT Relative (see Table 5)	ESC X to [ @ to — (underline)	N/A	ESC X to [ @ to — (underline)
<b>Word Processing</b>			
Auto Bold Print On	ESC *	ESC O	N/A
Auto Bold/Shadow Print Off	ESC .	ESC &	N/A
Auto Shadow Print On	ESC +	ESC W	N/A
Auto Underscore Off	ESC `	ESC R	N/A
Auto Underscore On	ESC - (minus)	ESC E	N/A
Program Mode—Enter	ESC E	ESC SO M	ESC E
Program/Graphics Mode—Exit	ESC G	ESC SI	ESC G
WP Modes—Clear All	ESC &	ESC X	N/A
<b>Twinfeeder (option)</b>			
Cut Sheet—Eject	ESC \F	ESC DC4 D	ESC \F
Cut Sheet—Insert / Eject	ESC \E	ESC DC4 C	ESC \E
Hopper 1 Select	ESC A	ESC DC4 A	ESC A
Hopper 2 Select	ESC B	ESC DC4 B	ESC B
<p>* See Table 7 for 7710, 7720, and 7730, or see Table 8 for 7715 and 7725.</p>			

Extended Feature Escape Codes for 7710, 7720, 7715, and 7725  
(Word Processing/Buffer Option, G9JHX Kit, installed)\*

ESCAPE CODES		
FUNCTION	MODELS 7710/7720	MODELS 7715/7725
Auto Bidirectional Mode-Off	ESC )	ESC \
Auto Bidirectional Mode-On	ESC (	ESC /
Auto Centering Mode-Off	ESC &	ESC X
	or ESC E	or ESC SO M
Auto Centering Mode-On	ESC \$ A	ESC =
Auto Centering Mode-Execute and Clear**	ESC <	ESC 5
	or ESC >	or ESC 6
Auto Justify Mode-Off	ESC &	ESC X
	or ESC E	or ESC SO M
Auto Justify Mode-On	ESC \$ B	ESC M
Auto Underscore Mode-Off	ESC '	ESC R
	or ESC &	or ESC X
Auto Underscore Mode-On	ESC - (minus)	ESC E
Fine Backspace-On	ESC 8	ESC BS
Initialize Command	ESC # A	ESC SUB I
Proportional Spacing Mode-Off	ESC I	ESC Q
	or ESC E	or ESC SO M
Proportional Spacing Mode-On	ESC H	ESC P
Reset Command	ESC # B	ESC SUB R
Space Offset Mode-Off	ESC &	ESC X
	or ESC % @ or P	or ESC DC1 @
		or NUL
Space Offset Mode-On	ESC % A to O	ESC DC1 SOH
	Q to _	to ?
		A to DEL
Status Command	ESC #1 to 5	ESC SUB 1 to 5

\* For further information on these features, see the 7700 Terminals Product Description.

\*\* Executes then clears auto centering mode function.

Table 10 ASCII Special Characters

CODE	MEANING
NUL	Null
SOH	Start of Heading
STX	Start Text
ETX	End Text
EOT	End of Transmission
ENQ	Enquiry
ACK	Acknowledge
BEL	Bell
BS	Backspace
HT	Horizontal Tab
LF	Line Feed
VT	Vertical Tab
FF	Form Feed
CR	Carriage Return
SO	Shift Out
SI	Shift In
DLE	Data Link Escape
DC1	Device Control 1
DC2	Device Control 2
DC3	Device Control 3
DC4	Device Control 4
NAK	Negative Acknowledge
SYN	Synchronous Idle
ETB	End Transmission Block
CAN	Cancel
EM	End of Medium
SUB	Substitute
ESC	Escape
FS	Form Separator
GS	Group Separator
RS	Record Separator
US	Unit Separator
SP	Space
DEL	Delete

### Models 7710, 7720, and 7730 Absolute Horizontal Tab

1st	ESC																							
2nd	P				Q				R				S				T				U			
3rd	1	P	17	⊙	33	P	49	⊙	65	P	81	⊙	97	P	113	⊙	129	P	145	⊙	161			
A	2	Q	18	A	34	Q	50	A	66	Q	82	A	98	Q	114	A	130	Q	146	A	162			
B	3	R	19	B	35	R	51	B	67	R	83	B	99	R	115	B	131	R	147	B	163			
C	4	S	20	C	36	S	52	C	68	S	84	C	100	S	116	C	132	S	148	C	164			
D	5	T	21	D	37	T	53	D	69	T	85	D	101	T	117	D	133	T	149	D	165			
E	6	U	22	E	38	U	54	E	70	U	86	E	102	U	118	E	134	U	150	E	166			
F	7	V	23	F	39	V	55	F	71	V	87	F	103	V	119	F	135	V	151	F	167			
G	8	W	24	G	40	W	56	G	72	W	88	G	104	W	120	G	136	W	152	G	168			
H	9	X	25	H	41	X	57	H	73	X	89	H	105	X	121	H	137	X	153	H	169			
I	10	Y	26	I	42	Y	58	I	74	Y	90	I	106	Y	122	I	138	Y	154	I	170			
J	11	Z	27	J	43	Z	59	J	75	Z	91	J	107	Z	123	J	139	Z	155	J	171			
K	12	[	28	K	44	[	60	K	76	[	92	K	108	[	124	K	140	[	156	K	172			
L	13	\	29	L	45	\	61	L	77	\	93	L	109	\	125	L	141	\	157	L	173			
M	14	]	30	M	46	]	62	M	78	]	94	M	110	]	126	M	142	]	158	M	174			
N	15	^	31	N	47	^	63	N	79	^	95	N	111	^	127	N	143	^	159	N	175			
O	16	_	32	O	48	_	64	O	80	_	96	O	112	_	128	O	144	_	160	O	176			

CHARACTER KEY  TAB POSITION

### Models 7710, 7720, and 7730 Relative Vertical Tab

1st	Reverse								Forward							
	ESC				ESC				ESC				ESC			
2nd	X				Y				Z				[			
3rd	⊙	P	16	⊙	32	P	48	⊙	0	P	16	⊙	32	P	48	
A	1	Q	17	A	33	Q	49	A	1	Q	17	A	33	Q	49	
B	2	R	18	B	34	R	50	B	2	R	18	B	34	R	50	
C	3	S	19	C	35	S	51	C	3	S	19	C	35	S	51	
D	4	T	20	D	36	T	52	D	4	T	20	D	36	T	52	
E	5	U	21	E	37	U	53	E	5	U	21	E	37	U	53	
F	6	V	22	F	38	V	54	F	6	V	22	F	38	V	54	
G	7	W	23	G	39	W	55	G	7	W	23	G	39	W	55	
H	8	X	24	H	40	X	56	H	8	X	24	H	40	X	56	
I	9	Y	25	I	41	Y	57	I	9	Y	25	I	41	Y	57	
J	10	Z	26	J	42	Z	58	J	10	Z	26	J	42	Z	58	
K	11	[	27	K	43	[	59	K	11	[	27	K	43	[	59	
L	12	\	28	L	44	\	60	L	12	\	28	L	44	\	60	
M	13	]	29	M	45	]	61	M	13	]	29	M	45	]	61	
N	14	^	30	N	46	^	62	N	14	^	30	N	46	^	62	
O	15	_	31	O	47	_	63	O	15	_	31	O	47	_	63	

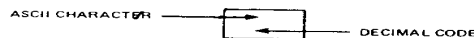
CHARACTER KEY  TAB AMOUNT

Table 7 Models 7710, 7720, and 7730 Spacing and Forms Advance Control

1st	2nd	SPACING		FORM ADVANCE	
		3rd	INCHES	3rd	INCHES
ESC	]	@	0	P	1/48
		A	1/120	Q	2/48
		B	2/120	R	3/48
		C	3/120	S	4/48
		D	4/120	T	5/48
		E	5/120	U	6/48 (1/8)
		F	6/120	V	7/48
		G	7/120	W	8/48 (1/6)
		H	8/120	X	9/48
		I	9/120	Y	10/48
		J	10/120 (1/12)	Z	11/48
		K	11/120	[	12/48
		L	12/120 (1/10)	\	13/48
		M	13/120	]	14/48
		N	14/120	^	15/48
O	15/120	-	16/48		

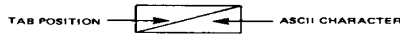
ASCII Code Table

SECOND HEX DIGIT	FIRST HEX DIGIT							
	0	1	2	3	4	5	6	7
0	NUL 00	DLE 16	SP 32	0 48	@ 64	P 80	' 96	p 112
1	SOH 01	DC1 17	! 33	1 49	A 65	Q 81	a 97	q 113
2	STX 02	DC2 18	" 34	2 50	B 66	R 82	b 98	r 114
3	ETX 03	DC3 19	# 35	3 51	C 67	S 83	c 99	s 115
4	EOT 04	DC4 20	\$ 36	4 52	D 68	T 84	d 100	t 116
5	ENQ 05	NAK 21	% 37	5 53	E 69	U 85	e 101	u 117
6	ACK 06	SYN 22	& 38	6 54	F 70	V 86	f 102	v 118
7	BEL 07	ETB 23	' 39	7 55	G 71	W 87	g 103	w 119
8	BS 08	CAN 24	( 40	8 56	H 72	X 88	h 104	x 120
9	HT 09	EM 25	) 41	9 57	I 73	Y 89	i 105	y 121
A	LF 10	SUB 26	* 42	: 58	J 74	Z 90	j 106	z 122
B	VT 11	ESC 27	+ 43	; 59	K 75	[ 91	k 107	{ 123
C	FF 12	FS 28	, 44	< 60	L 76	\ 92	l 108	 124
D	CR 13	GS 29	- 45	= 61	M 77	] 93	m 109	} 125
E	S0 14	RS 30	. 46	> 62	N 78	^ 94	n 110	~ 126
F	SI 15	US 31	/ 47	? 63	O 79	_ 95	o 111	DEL 127



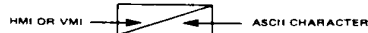
**Table 6 Models 7715 and 7725 Absolute Horizontal Tab and Absolute Vertical Tab**

1st	ESC																			
2nd	Absolute Horizontal Tab HT				Remote Forms Length FF								Absolute Vertical Tab VT							
3rd	1	14	27	ESC	40	(	53	5	66	B	79	O	92	\	105		118	v		
	2	STX	15	SI	28	FS	41	)	54	6	67	C	80	P	93	]	106	l	119	w
	3	ETX	16	DLE	29	GS	42	*	55	7	68	D	81	Q	94	^	107	k	120	x
	4	EOT	17	DC1	30	RS	43	-	56	8	69	E	82	R	95	~	108	i	121	y
	5	ENO	18	DC2	31	US	44	+	57	9	70	F	83	S	96	^	109	m	122	z
	6	ACK	19	DC3	32	SP	45	-	58	:	71	G	84	T	97	a	110	n	123	
	7	BEL	20	DC4	33	!	46	-	59	:	72	H	85	U	98	b	111	o	124	
	8	BS	21	NAK	34	-	47	/	60	<	73	I	86	V	99	c	112	p	125	
	9	HT	22	SYN	35	#	48	0	61	:	74	J	87	W	100	d	113	q	126	
	10	LF	23	ETB	36	\$	49	1	62	>	75	K	88	X	101	e	114	r		
	11	VT	24	CAN	37	%	50	2	63	?	76	L	89	Y	102	f	115	s		
	12	FF	25	EM	38	&	51	3	64	@	77	M	90	Z	103	g	116	t		
	13	CR	26	SUB	39	^	52	4	65	A	78	N	91	[	104	h	117	u		



**Models 7715 and 7725 Vertical Motion Index and Horizontal Motion Index**

1st	ESC																			
2nd	Vertical Motion Index RS								Horizontal Motion Index US											
3rd	0	SOH	13	SO	26	ESC	39	(	52	5	65	B	78	O	91	\	104		117	v
	1	STX	14	SI	27	FS	40	)	53	6	66	C	79	P	92	]	105	l	118	w
	2	ETX	15	DLE	28	GS	41	*	54	7	67	D	80	Q	93	^	106	k	119	x
	3	EOT	16	DC1	29	RS	42	-	55	8	68	E	81	R	94	~	107	i	120	y
	4	ENO	17	DC2	30	US	43	+	56	9	69	F	82	S	95	^	108	m	121	z
	5	ACK	18	DC3	31	SP	44	-	57	:	70	G	83	T	96	a	109	n	122	
	6	BEL	19	DC4	32	!	45	-	58	:	71	H	84	U	97	b	110	o	123	
	7	BS	20	NAK	33	-	46	/	59	<	72	I	85	V	98	c	111	p	124	
	8	HT	21	SYN	34	#	47	0	60	:	73	J	86	W	99	d	112	q	125	
	9	LF	22	ETB	35	\$	48	1	61	>	74	K	87	X	100	e	113	r		
	10	VT	23	CAN	36	%	49	2	62	?	75	L	88	Y	101	f	114	s		
	11	FF	24	EM	37	&	50	3	63	@	76	M	89	Z	102	g	115	t		
	12	CR	25	SUB	38	^	51	4	64	A	77	N	90	[	103	h	116	u		



**Table 3 Bit Assignments of Status Report Bytes (Word Processing/Buffer Option, G9JHX Kit, Installed)**

COMMAND CHARACTER	STATUS BIT*							
	7	6	5	4	3	2	1	0
1	Parity Bit	1	0	Paper Out	Cover Open	Ribbon Out	USART or Framing Error	Break Signal
2	Parity Bit	1	0	0	0	RX Buffer Overflow	0	TX Buffer Overflow Error
3	Parity Bit	1	0	Reverse Channel Active Low	Thimble Select (See Note 1)	Thimble Select (See Note 1)	LF Switch On	X-ON/X-OFF Switch ON
4	Parity Bit	1	0	SP12 CPI (See Note 2)	LF 8 LPI (See Note 3)	Auto Return ON	0	Full Duplex (Always 0 in Model 7715/7725)
5	Parity Bit	1	0	Twin-feeder Connected	Hopper 2 Selected	0	Twin-feeder Alarm	Paper Inserted

Note 1 (Status Command 3)  
Thimble Select  
Status Bit\*      Thimble Type\*\*  
3      2  
OFF    OFF      Constant pitch NEC (std)  
ON    OFF      PS6 Emperor PS. Keepsake  
OFF    ON      PS7 Bold  
ON    ON      PS8 Bold

\* 0 = OFF; 1 = ON  
\*\* See 7700 Terminals Operator's Guide.  
Note 2: 1 equals 12 characters per inch, 0 equals 10 cpi.  
Note 3: 1 equals 8 lines per inch, 0 equals 6 lpi.